



Why Choose Rexnord?

When it comes to providing highly engineered products that improve productivity and efficiency for industrial applications worldwide, Rexnord is the most reliable in the industry. Our commitment to customer satisfaction and superior value extends to every area of our business.

Delivering Lowest Total Cost of Ownership

The highest quality products are designed to help prevent equipment downtime, increase productivity and deliver dependable operation.

Valuable Expertise

An extensive product offering is accompanied by global sales specialists, customer service and maintenance support teams, available anytime.

Solutions to Enhance Ease of Doing Business

Our commitment to operational excellence means you benefit from getting the right products to the right place at the right time.

Why Choose Rex and Link-Belt Mounted Roller Bearings?

Range of Options

Rex® and Link-Belt® roller bearings offer the best range of performance options based on your application needs. From seal types to bore diameters to shaft locking options, no one offers more choices than Rexnord. The result is a bearing family that delivers the best value on choice, delivery and life.

Solid Housing

Our spherical roller bearings offer a range of solid housings that utilize the industry's only two-piece outer ring, interchangeable seals, larger rollers and in-field clearance setting capabilities. The rugged, one-piece housing arrives pre-loaded with lubricant, which decreases installation time and increases bearing life.

Custom Applications

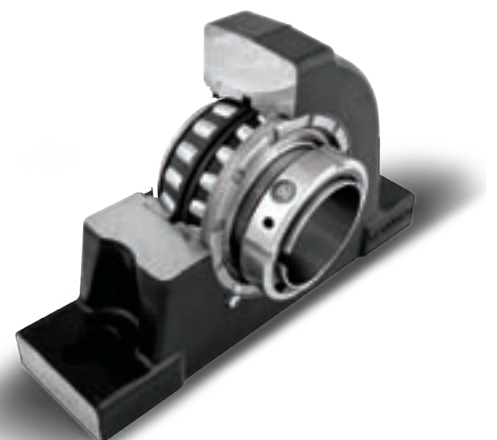
The unique modular design of the Rex and Link-Belt roller bearings allow for assembled-to-order configurations. Our Application Engineers offer deep technical and functional knowledge to provide customers with predictive bearing performance analysis so the right product is selected for each application.

Rugged Performer

Rex and Link-Belt products are proven performers in the industry and represent the quality and value our customers have come to expect from a leader. Rexnord roller bearings have higher thrust load carrying capacity than any comparable product in the market.

Availability

We understand that equipment downtime is not an option for our customers. Rexnord utilizes a network of warehouses and distribution channels to provide inventory coverage for our product offering and provide greater customer satisfaction.





Rex & Link-Belt Roller Bearings

- Shaft sizes from 3/4" to 7"
- Full range of housing styles
- Multiple mounting options
- Self-aligning spherical roller bearing provides 4° degrees of misalignment
- Spyglass™ Optical Strain Sensing Technology provides error-free installation
- Adjustable internal clearances
- Best-in-class load ratings
- Interchangeable seals



Rex Z Seal
Non-Contact Seal



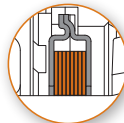
Rex K Seal
Light Contact Seal



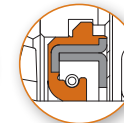
Rex M Seal
Heavy Contact Seal



Rex G Seal
Triple Lip Seal



Link-Belt H Seal
Clearance Seal



Link-Belt E Seal
Heavy Contact Seal



Link-Belt E7 Seal
Triple Lip Seal

Process & Motion Control Products & Solutions For Your Business

- Bearing
- Coupling
- Gear
- Industrial Chain
- Conveying Equipment
- FlatTop
- Product Services

Industries Served

- Aggregates
- Air Handling
- Construction Machinery
- Food & Beverage
- Forest Products
- Material Handling
- Mining
- Pumps & Compressors
- Heavy Duty Truck
- Steel

Roller elements machined to best-in-class tolerance provide longer bearing life

Super-finished raceways provide a cool running, quiet, high-speed & high-load capacity bearing

Solid housing reduces installation time and ships pre-loaded with the right lubricant for the application

Optional Spyglass Optical Strain Sensor (OSS)

Field-interchangeable seal options to fit diverse applications

Positive locking system provides easy installation, even for undersized shafts

Cage options reduce noise and improve lubrication with polymeric or steel for high heat and shock loading

